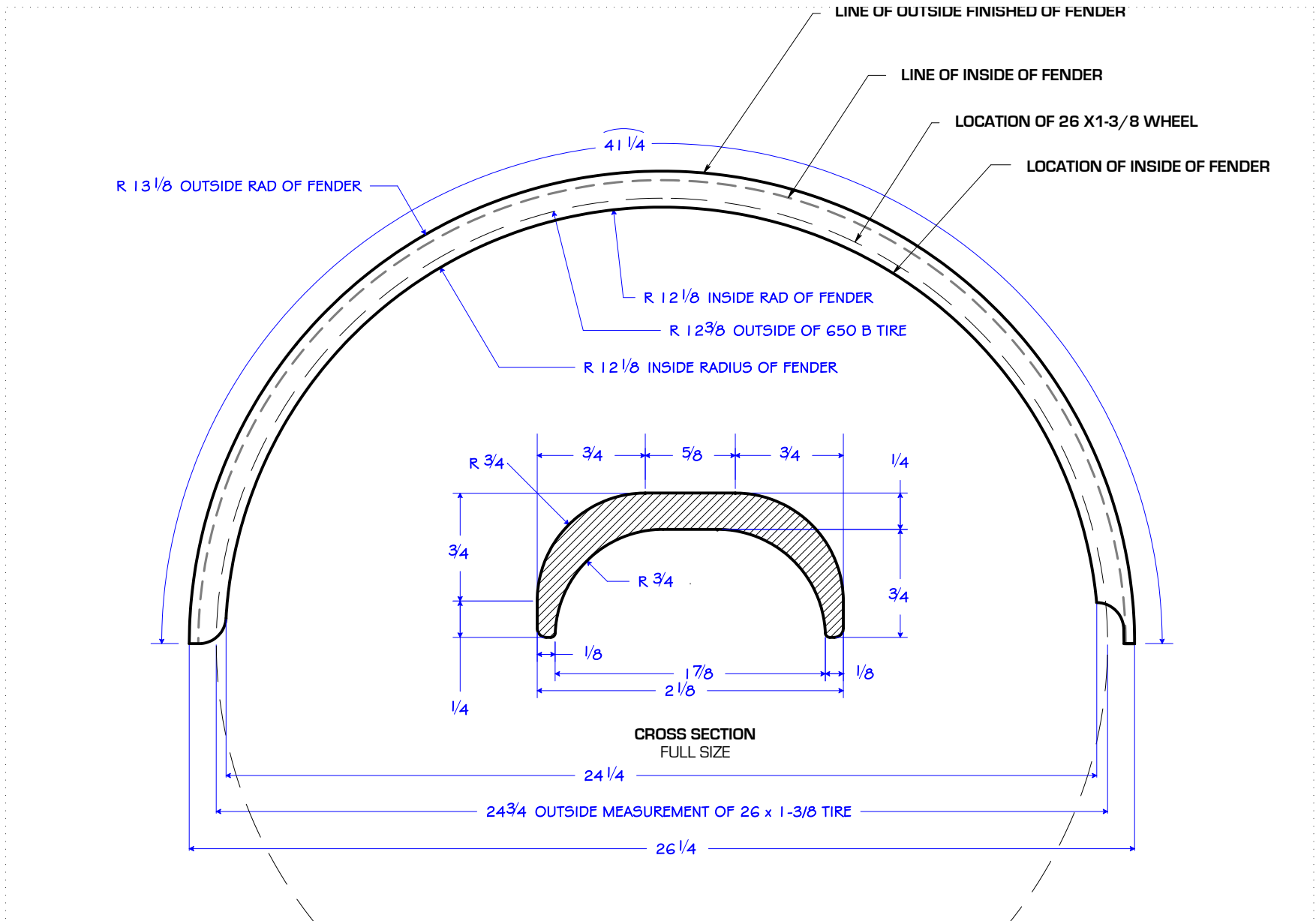


**TECHNICAL DRAWINGS
FOR
FENDERS BY GRANDPREY**

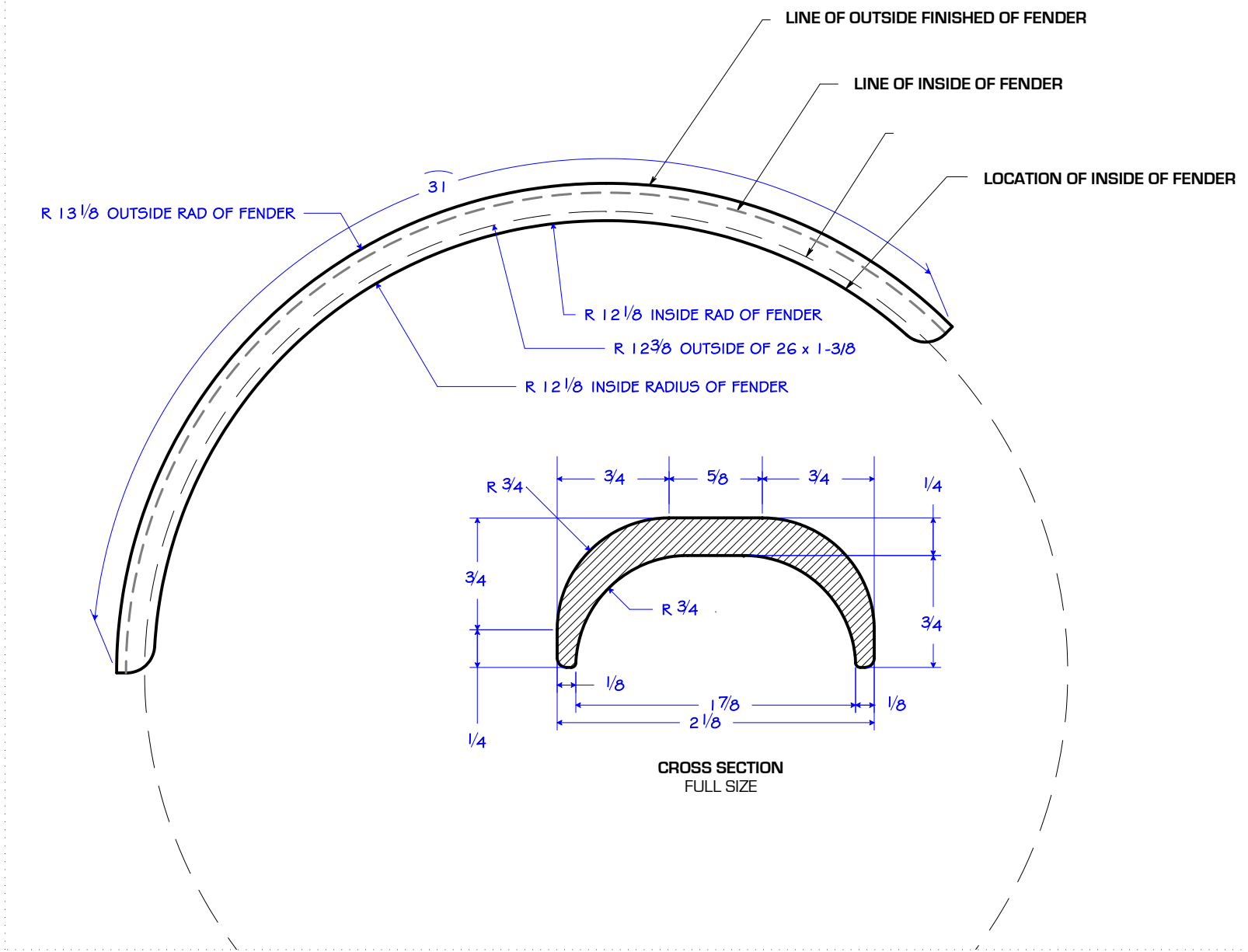
**GRANDPREY & ASSOCIATES
P O BOX 13696, LA JOLLA, CA 92039
TEL. 858 - 888 - 0348 E-MAIL: GRANDASC@AOL.COM**

**PAGE A1-R 26x 1-3/8 REAR FENDER DETAIL
PAGE A1-F 26x 1-3/8 FRONT FENDER DETAIL
PAGE A2-R 650 B REAR FENDER DETAIL
PAGE A2-F 650 B FRONT FENDER DETAIL
PAGE A3-R 700 x 35C REAR FENDER DETAIL
PAGE A3-F 700 x 35C FRONT FENDER DETAIL**

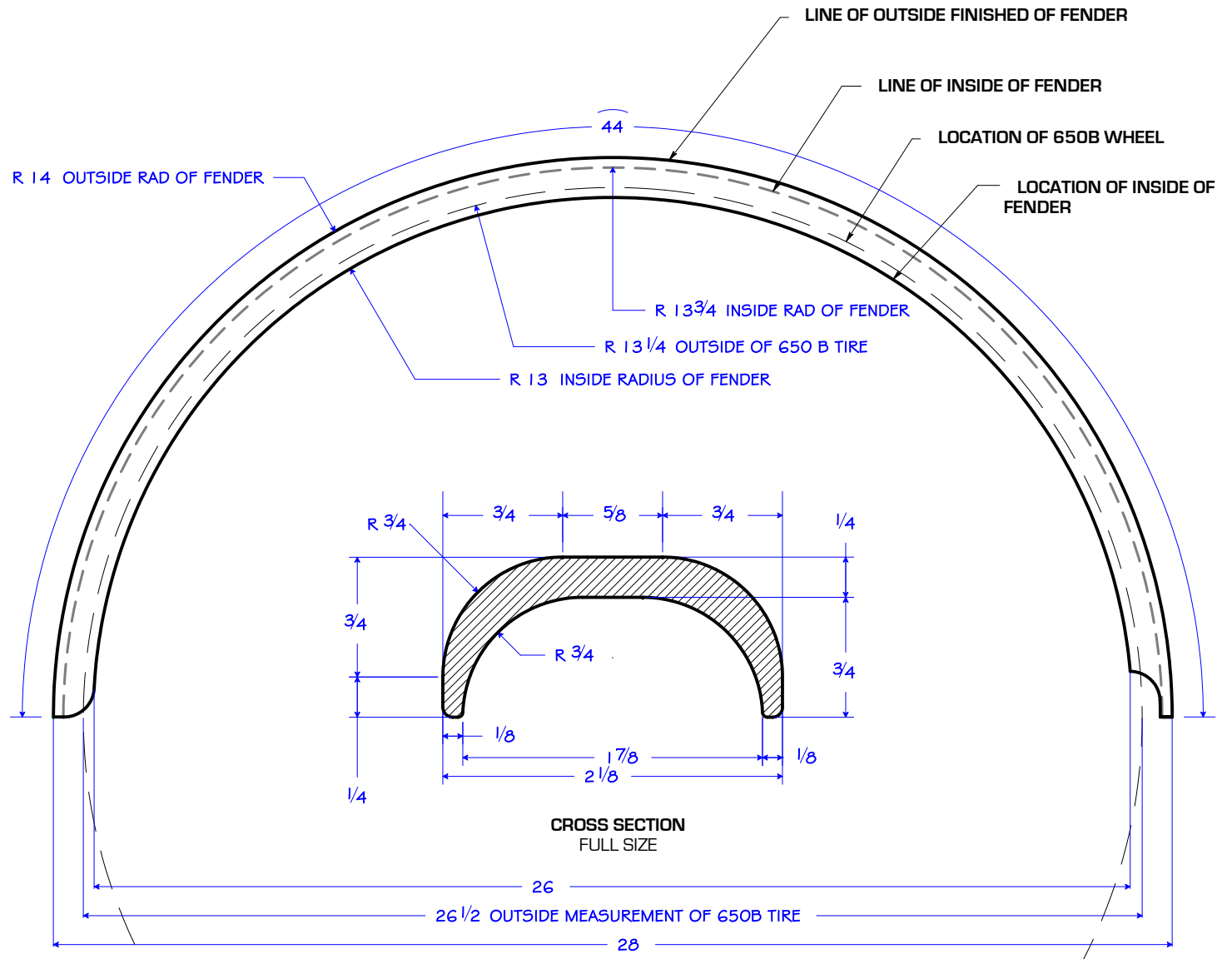
**GRANDPREY & ASSOCIATES
P O BOX 13696, LA JOLLA, CA 92039
TEL. 858 - 888 - 0348 E-MAIL: GRANDASC@AOL.COM**



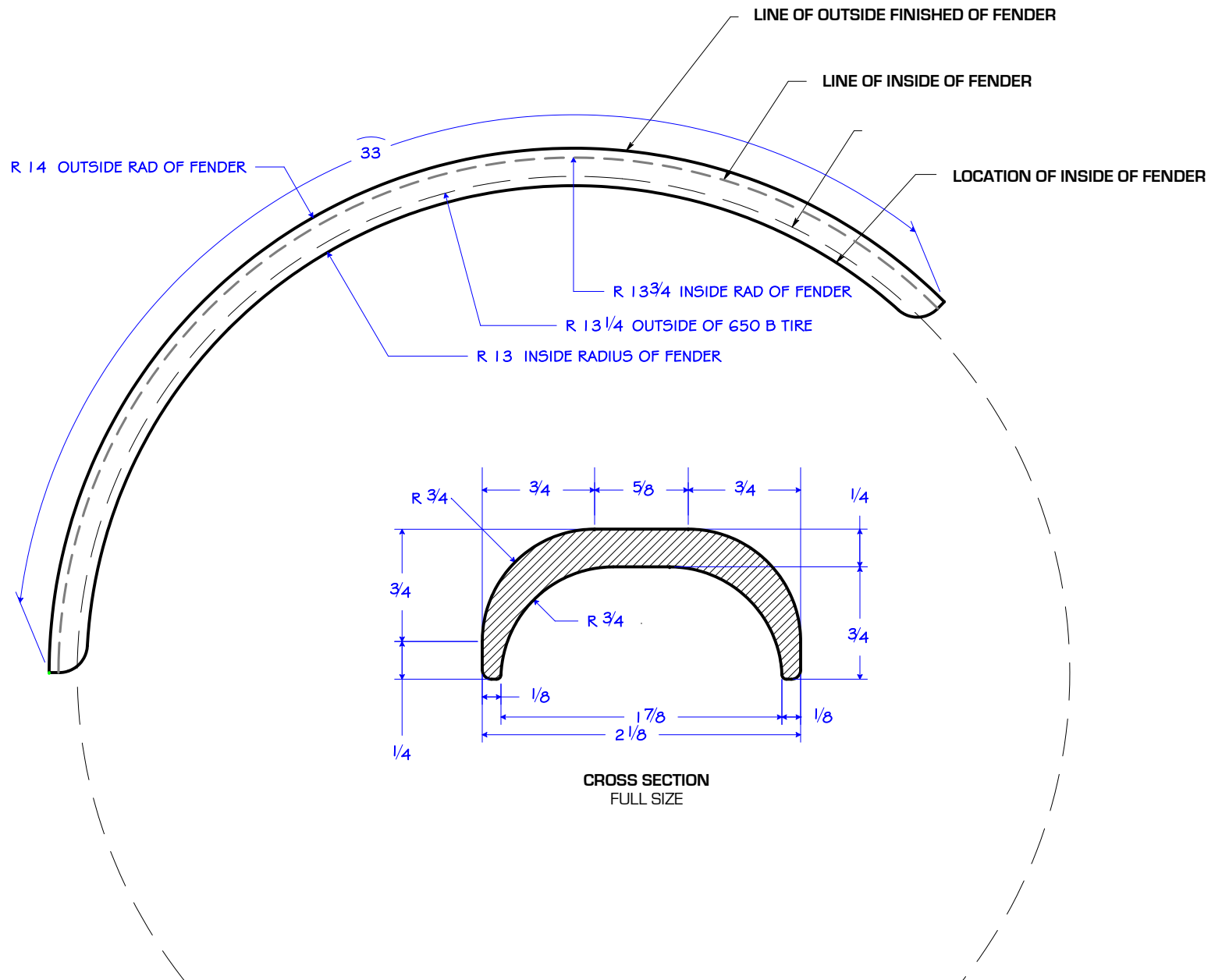
26 x 1-3/8 REAR FENDER TYPICAL RADIUS DETAIL
 SCALE: QUARTER SIZE
 DATE: 4/15/2012



26 X 1-3/8 FRONT FENDER TYPICAL RADIUS DETAIL
 SCALE: QUARTER SIZE
 DATE: 4/15/2012



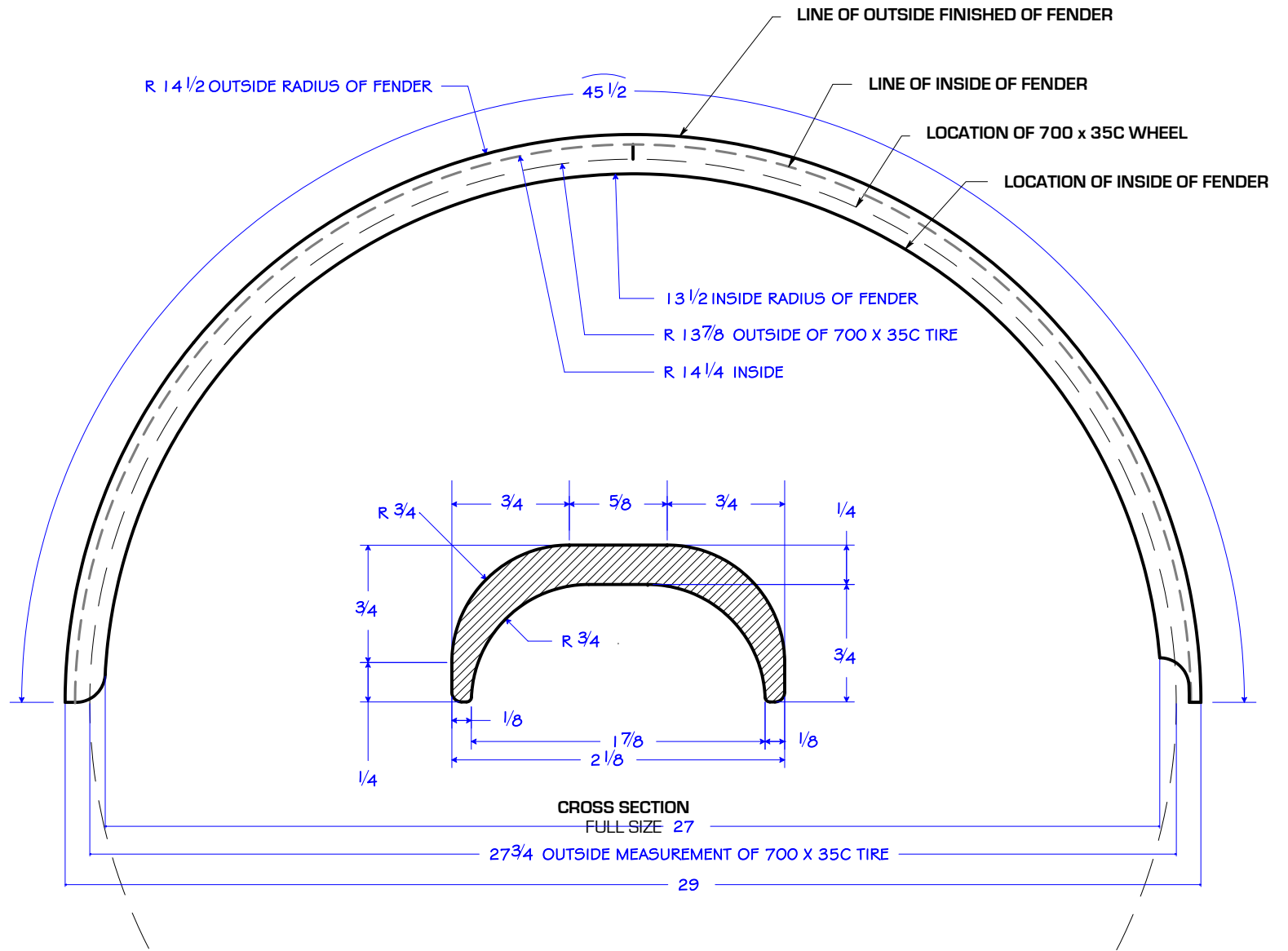
650 B REAR FENDER TYPICAL RADIUS DETAIL
SCALE: QUARTER SIZE
DATE: 4/15/2012



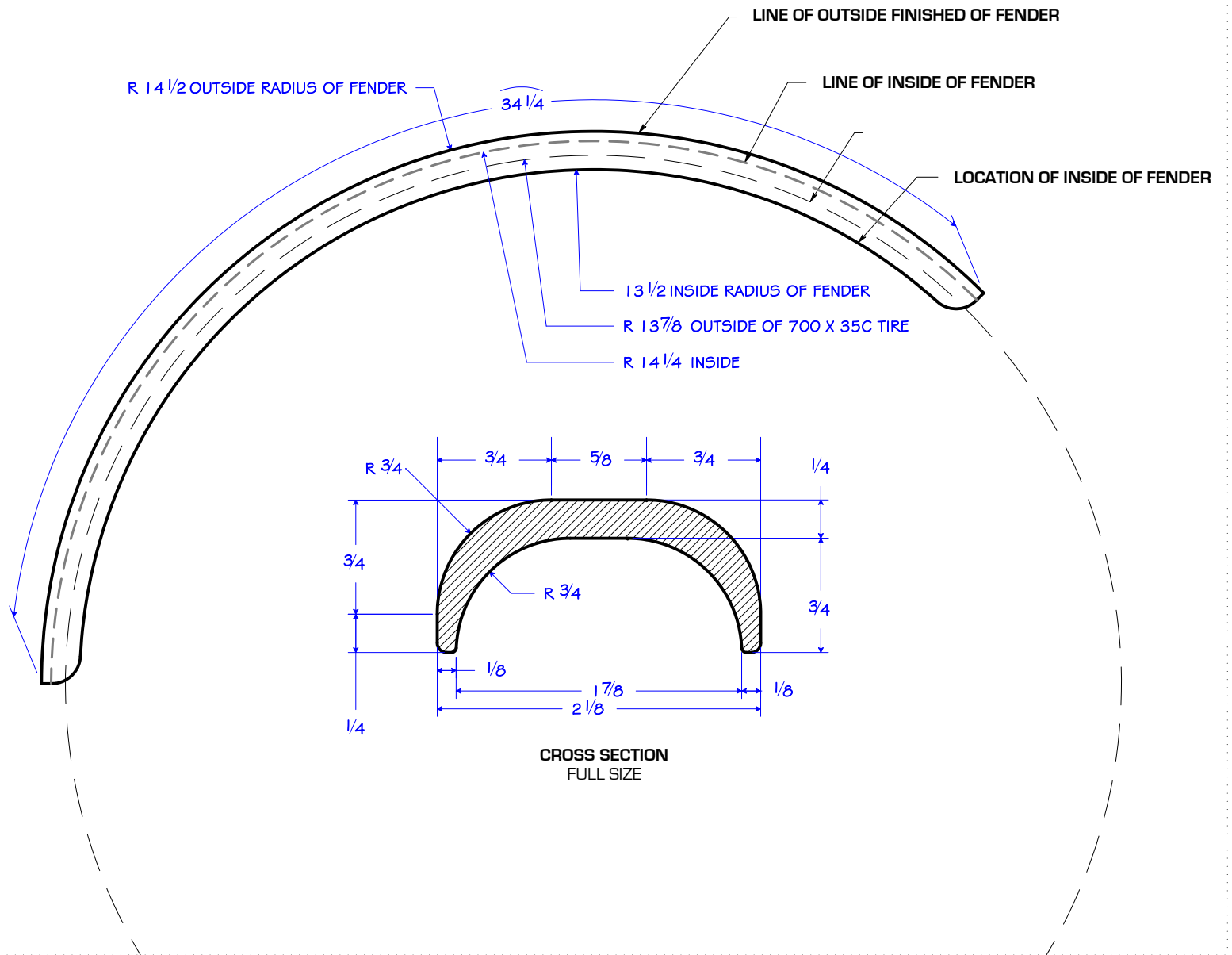
650 B FRONT FENDER TYPICAL RADIUS DETAIL

SCALE: QUARTER SIZE

DATE: 4/15/2012



700 X 35C REAR FENDER TYPICAL RADIUS DETAIL
SCALE: QUARTER SIZE
DATE: 4/15/2012



700 X 35C FRONT FENDER TYPICAL RADIUS DETAIL
 SCALE: QUARTER SIZE
 DATE: 4/15/2012